

ATLANTIC EUROPE LLC



**KITCHEN
AND BATHROOM
CABINETS**

INTRO.

ATLANTIC EUROPE kitchens is a furniture brand which you can rely on. We offer kitchen and bathroom furniture beautifully enhanced by a Scandinavian touch to match your style and individuality. Exceptional functionality and innovative design are the reason for our success. All our products meet ISO 9001 Quality Management System Requirements.

We provide various kitchen units and bathroom vanities in all standard sizes. Most frequently used configurations of cabinets enable to design any kitchen or bathroom you might dream of.

KITCHEN DESIGN IDEAS	4
CABINET DOORS	16
<i>T350 NATURAL ALDER WOOD</i>	16
<i>T354 NATURAL ALDER WOOD</i>	19
<i>ACRYLIC</i>	21
FILLERS / PANELS	21
<i>T819 ALDER WOOD VENEER</i>	21
<i>T003 SOLID ALDER WOOD</i>	22
<i>ACRYLIC</i>	23
<i>T620 LACQUERED MDF</i>	24
<i>AVAILABLE SIZES</i>	25
DECORATIVE MOULDINGS	27
ACCESSORIES	30
KITCHEN CABINET CONSTRUCTION	32
<i>WALL CABINET</i>	32
<i>BASE CABINET</i>	33
KITCHEN CABINET OPTIONS	34
<i>WALL CABINETS</i>	34
<i>BASE CABINETS</i>	39
<i>PANTRY CABINETS / TALL HOUSING UNITS</i>	43



CABINET DOORS
T350 Natural alder wood
Color 101 matt



PANTRY CABINET
with inner drawers



CORNERSTONE SWING
Pull-out system



CABINET DOORS
T350 Natural alder wood
Color 101 matt / 120 matt



WINE RACK
COV9
Cove Crown Moulding
LRM9
Light Rail Moulding



AVENTOS HK-S
Small stay lift system



CABINET DOORS
T354 Natural alder wood
Color 143 matt
(patina Unipaint)



WINE RACK
CM9
Crown moulding
LRM9
Light rail moulding



LAZY SUSAN
Corner system

CABINET DOORS

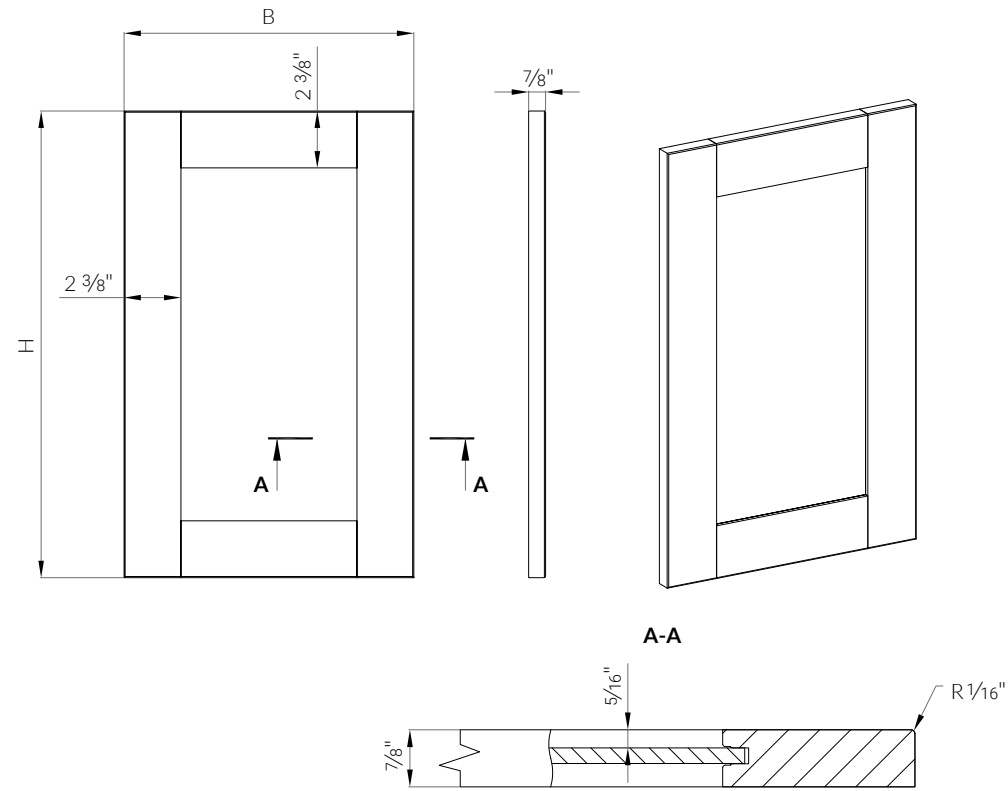
T350 NATURAL ALDER WOOD

A. DOOR WITH FLAT CENTER PANEL

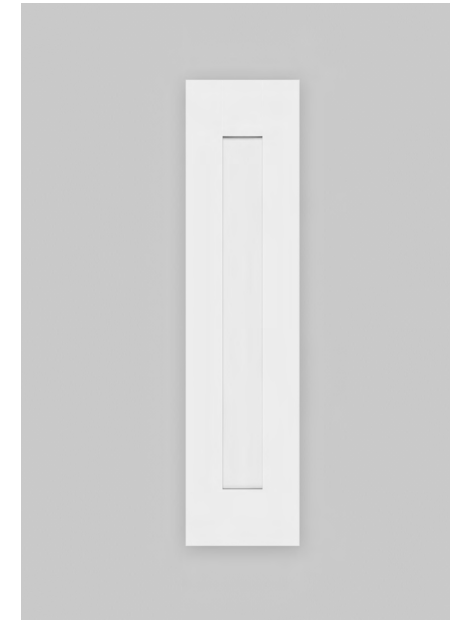


Door height (H)	Door width (B)
8" - 50"	9" - 18"

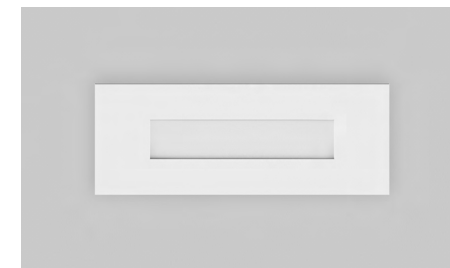
Rails / stiles with finger jointing, thickness – 7/8", material – solid alder wood.
 Rails / stiles width – 2 3/8".
 Flat center panel, thickness – 1/4", material – MDF veneered with alder wood.



B. DOOR WITH FLAT CENTER PANEL

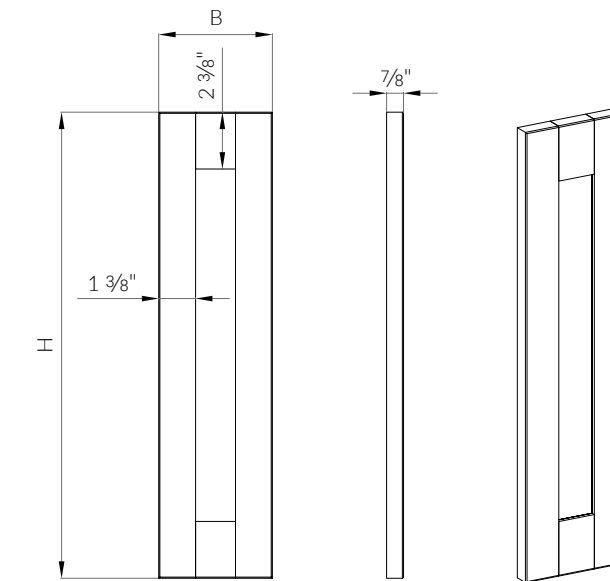


C. DRAWER FRONT WITH FLAT CENTER PANEL



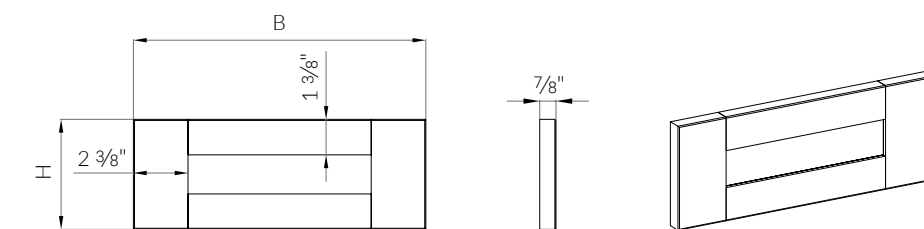
Door height (H)	Door width (B)
6" - 7"	9" - 36"

Rails / stiles with finger jointing, thickness – 7/8", material – solid alder wood.
 Rails width – 1 3/8", stiles width – 2 3/8".
 Flat center panel, thickness – 1/4", material – MDF veneered with alder wood.



Door height (H)	Door width (B)
8" - 50"	6" - 8"

Rails / stiles with finger jointing, thickness – 7/8", material – solid alder wood.
 Rails width – 2 3/8", stiles width – 1 3/8".
 Flat center panel, thickness – 1/4", material – MDF veneered with alder wood.





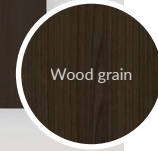
101 matt



120 matt



150 matt



Wood grain

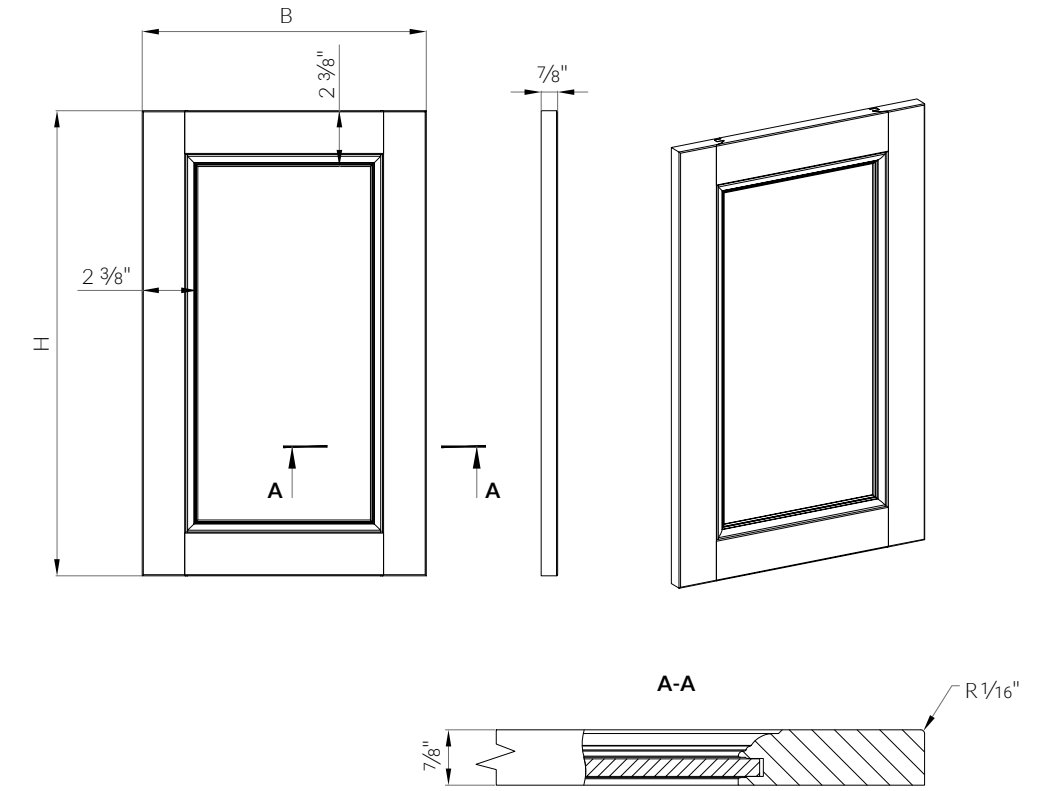
T354 NATURAL ALDER WOOD. Color 143 (patina Unipaint)

A. DOOR WITH FLAT CENTER PANEL

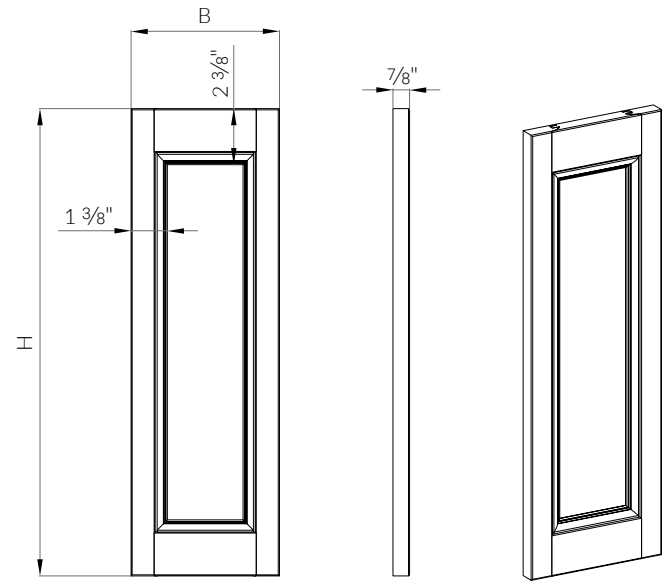


Door height (H)	Door width (B)
8" - 50"	9" - 18"

Rails / stiles with finger jointing, thickness – 7/8", material – solid alder wood.
 Rails / stiles width – 2 3/8".
 Flat center panel, thickness – 5/16", material – MDF veneered with alder wood.



B. DOOR WITH FLAT CENTER PANEL



Door height (H)	Door width (B)
8" - 50"	6" - 8"

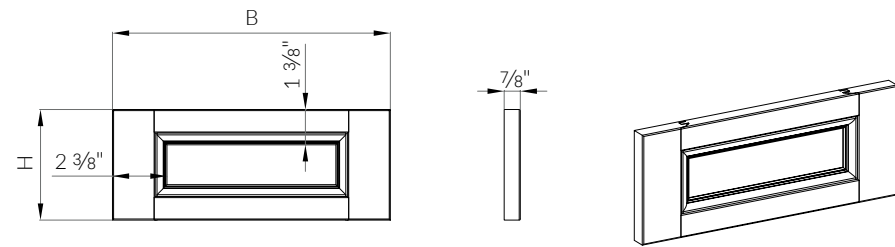
Rails / stiles with finger jointing, thickness – 7/8", material – solid alder wood.
 Rails width – 2 3/8", stiles width – 1 3/8".
 Flat center panel, thickness – 5/16", material – MDF veneered with alder wood.

ACRYLIC. White (high gloss)



Door thickness – 1 3/16"
 AirTec processed edges
 MDF base material

C. DRAWER FRONT WITH FLAT CENTER PANEL

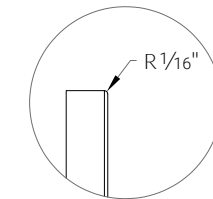
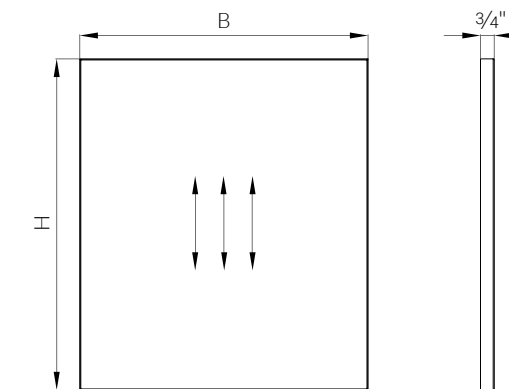


Door height (H)	Door width (B)
6" - 7"	9" - 36"

Rails / stiles with finger jointing, thickness – 7/8", material – solid alder wood.
 Rails width – 1 3/8", stiles width – 2 3/8".
 Flat center panel, thickness – 5/16", material – MDF veneered with alder wood.

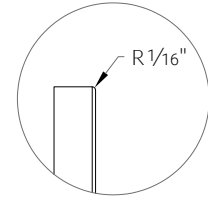
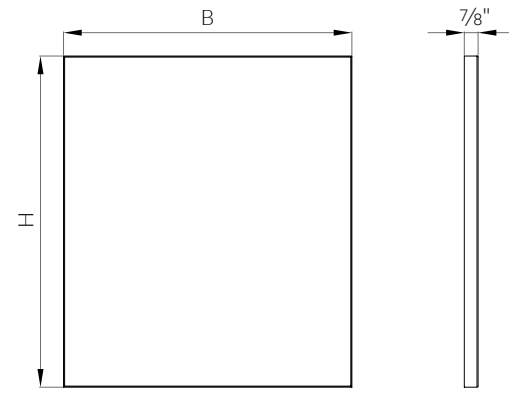
FILLERS / PANELS

T819 ALDER WOOD VENEER. Color 150 matt



Thickness – 3/4"
 Double-sided lacquering

T003 SOLID ALDER WOOD



Thickness – 7/8"
Double-sided lacquering

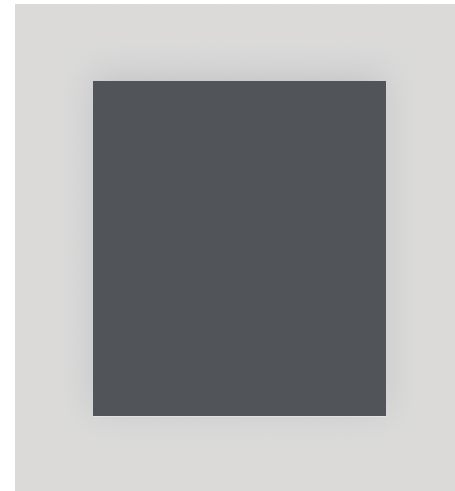


150 matt

T003. AVAILABLE PANEL COLORS



101 matt

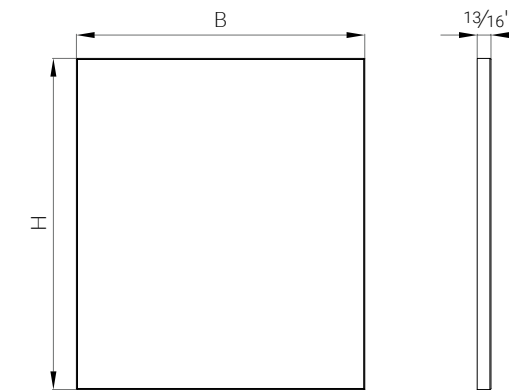


120 matt



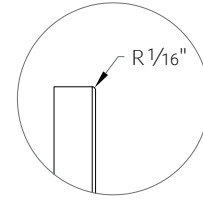
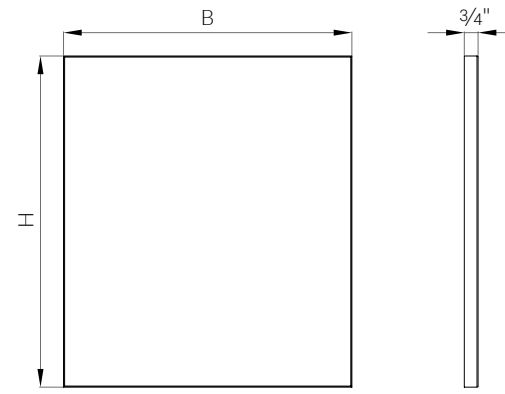
143 matt (without patina)

ACRYLIC. Color White (high gloss)



Thickness – 13/16"
AirTec processed edges
MDF base material

T620 LACQUERED MDF

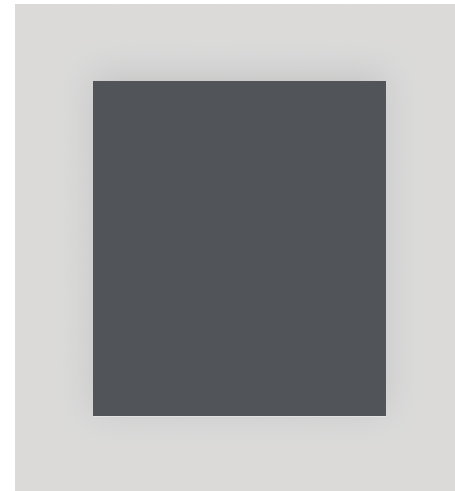


Thickness – 3/4"
Double-sided lacquering

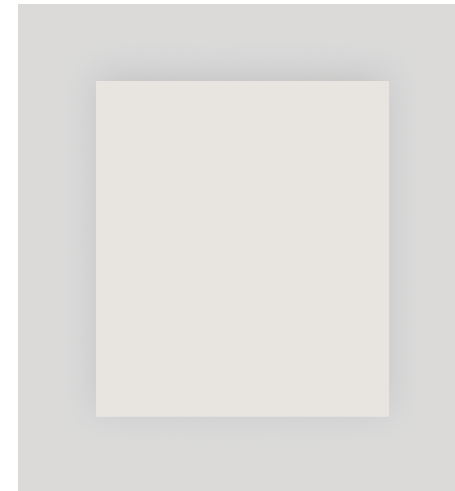
T620. AVAILABLE PANEL COLORS



101 matt



120 matt



143 matt (without patina)

FILLERS / PANELS. AVAILABLE SIZES

Panel description	Stock No.	Width	Height
T819 Alder wood veneer (flat)	P1330V	13"	30"
	P1336V	13"	36"
	P1342V	13"	42"
	P2534.5V	25"	34 1/2"
	S2596V	25"	96"
T003 Solid alder wood (flat)	P330W	3"	30"
	P336W	3"	36"
	P342W	3"	42"
	P396W	3"	96"
	P630W	6"	30"
	P696W	6"	96"
Acrylic (flat)	P330A	3"	30"
	P336A	3"	36"
	P342A	3"	42"
	P396A	3"	96"
	P630A	6"	30"
	P696A	6"	96"
	P1330A	13"	30"
	P1336A	13"	36"
	P1342A	13"	42"
	P2534.5A	25"	34 1/2"
S2596A	25"	96"	
T620 Lacquered MDF (flat)	P330M	3"	30"
	P336M	3"	36"
	P342M	3"	42"
	P396M	3"	96"
	P630M	6"	30"
	P696M	6"	96"
	P1330M	13"	30"
	P1336M	13"	36"
	P1342M	13"	42"
	P2534.5M	25"	34 1/2"
S2596M	25"	96"	



Fillers / end panels



Shelf / fridge panels

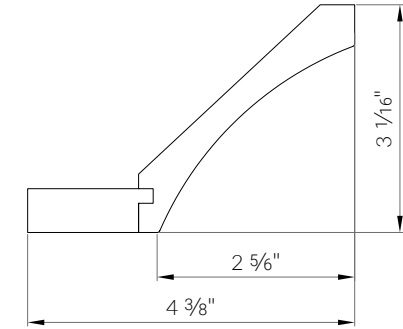
OTHER PANELS

Panel description	Stock No.	Width	Height
Island back panel, thickness $\frac{3}{8}$ " (colors 101 matt, 120 matt, 143 matt (without patina), 150 matt)	BP9636P	96"	36"
Island back panel, thickness $\frac{13}{16}$ " (color White gloss)	BP9636A	96"	36"
Dish washer return panel (colors 101 matt, 120 matt, 143 matt (without patina), 150 matt, White gloss)	DWR3		

DECORATIVE MOULDINGS

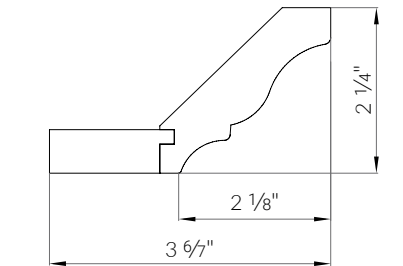
COV9
COVE CROWN MOULDING

LENGTH 9 ft.
MATERIAL Solid alder wood
AVAILABLE COLORS 101 matt, 120 matt, 143 matt (without patina), 150 matt



CM9
CROWN MOULDING

LENGTH 9 ft.
MATERIAL Solid alder wood
AVAILABLE COLORS 101 matt, 120 matt, 143 matt (patina Unipaint), 150 matt



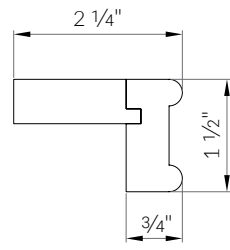
LRM9

LIGHT RAIL MOULDING

LENGTH 9 ft.

MATERIAL Solid alder wood

AVAILABLE COLORS 101 matt, 120 matt, 143 matt (patina Unipaint), 150 matt



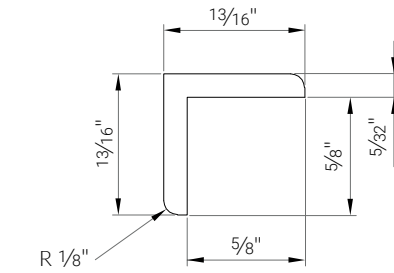
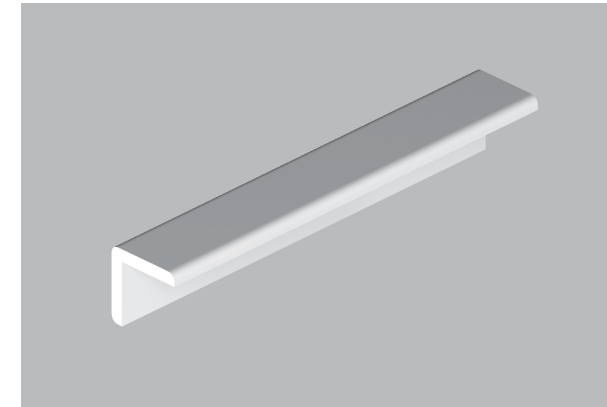
OCM9

OUTSIDE CORNER MOULDING

LENGTH 9 ft.

MATERIAL Solid alder wood

AVAILABLE COLORS 101 matt, 120 matt, 143 matt (without patina), 150 matt



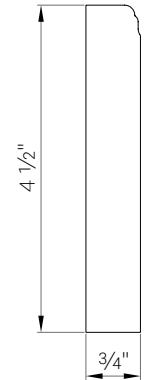
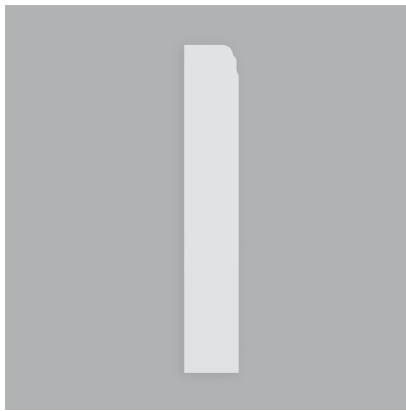
FBM9

FURNITURE BASE MOULDING

LENGTH 9 ft.

MATERIAL Solid alder wood

AVAILABLE COLORS 101 matt, 120 matt, 143 matt (without patina), 150 matt



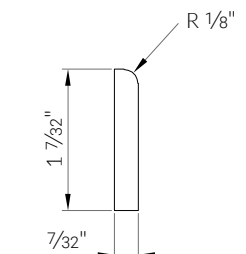
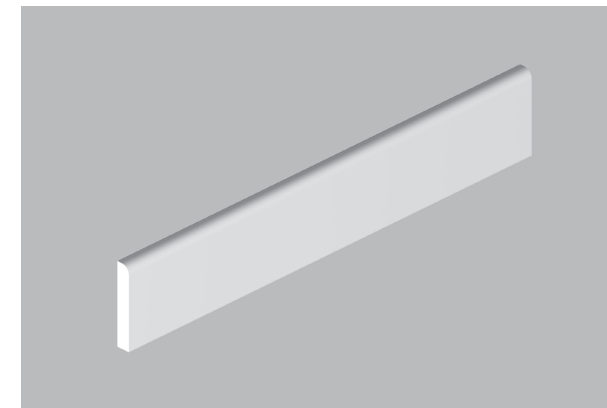
SM9

SCRIBE MOULDING

LENGTH 9 ft.

MATERIAL Solid alder wood

AVAILABLE COLORS 101 matt, 120 matt, 143 matt (without patina), 150 matt

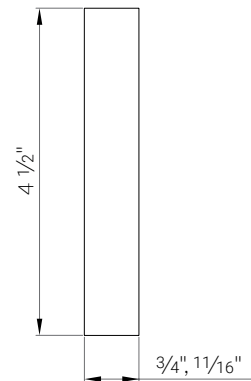


TOE KICK MOULDING

LENGTH 9 ft.

MATERIAL OPTIONS

- Laminated board (thickness 11/16"), color White;
- Lacquered MDF (thickness 3/4"), color 101 matt / 120 matt / 143 matt (without patina);
- Alder wood veneer (thickness 3/4"), color 150 matt



ACCESSORIES



CORNERSTONE SWING

Pull-out system

Height-adjustable shelves in Basic design
(Chrome edges)
Integrated soft-closing
L-movement of the shelves allows free access
to neighboring cabinets
Payload capacity 40 lbs. per shelf



PULL-OUT SPICE RACK

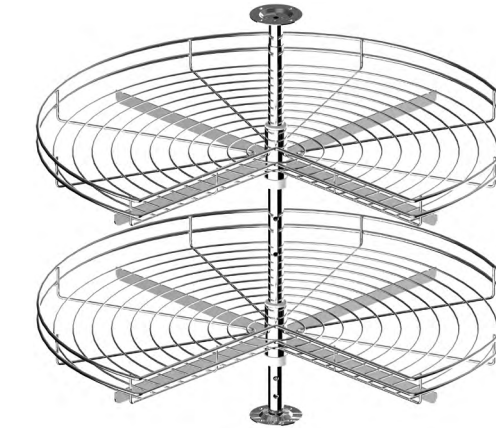
Chrome baskets with door mounting
Runners with partial extension
Integrated soft-closing
Payload capacity of the system 55 lbs.



LAZY SUSAN

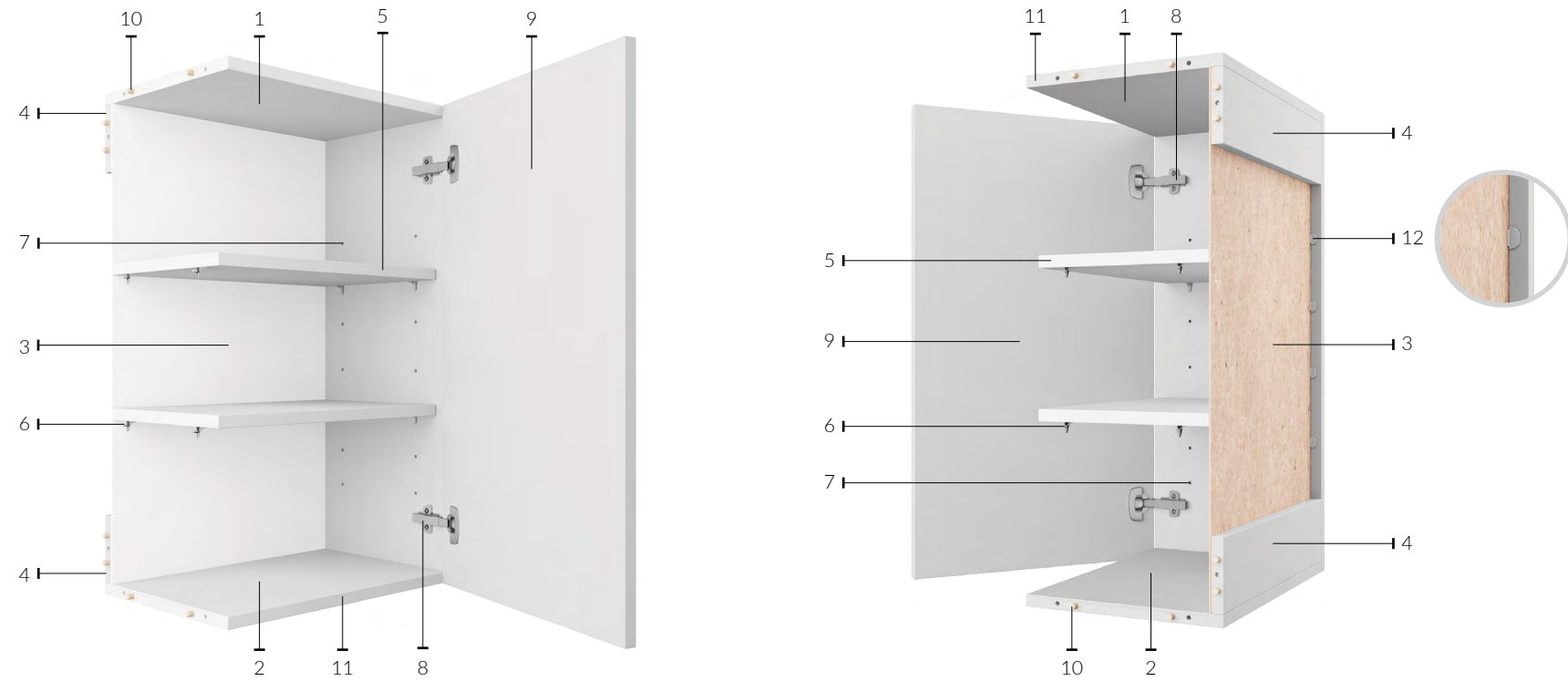
Corner system

Height-adjustable round shelves in Chrome
Shelf version ¾
Payload capacity 22 lbs. per shelf



KITCHEN CABINET CONSTRUCTION

WALL CABINET



- 1. Top panel (PB in White color, thickness 1 1/16")
- 2. Bottom panel (PB in White color, thickness 1 1/16")
- 3. Back panel (hardboard in White color, thickness 1/8")
- 4. Mounting rail (PB in White color, width 4")
- 5. Height adjustable / removable shelf (PB in White color, thickness 1 1/16")
- 6. Shelf support
- 7. Holes for shelf support (Ø 3/16")
- 8. 110° hinge CLIP top BLUMOTION (soft close)
- 9. Door
- 10. Wood dowels / cam lock nuts & screws construction
- 11. Color coordinated PVC edge
- 12. Back panel connector



Shelf support (6)



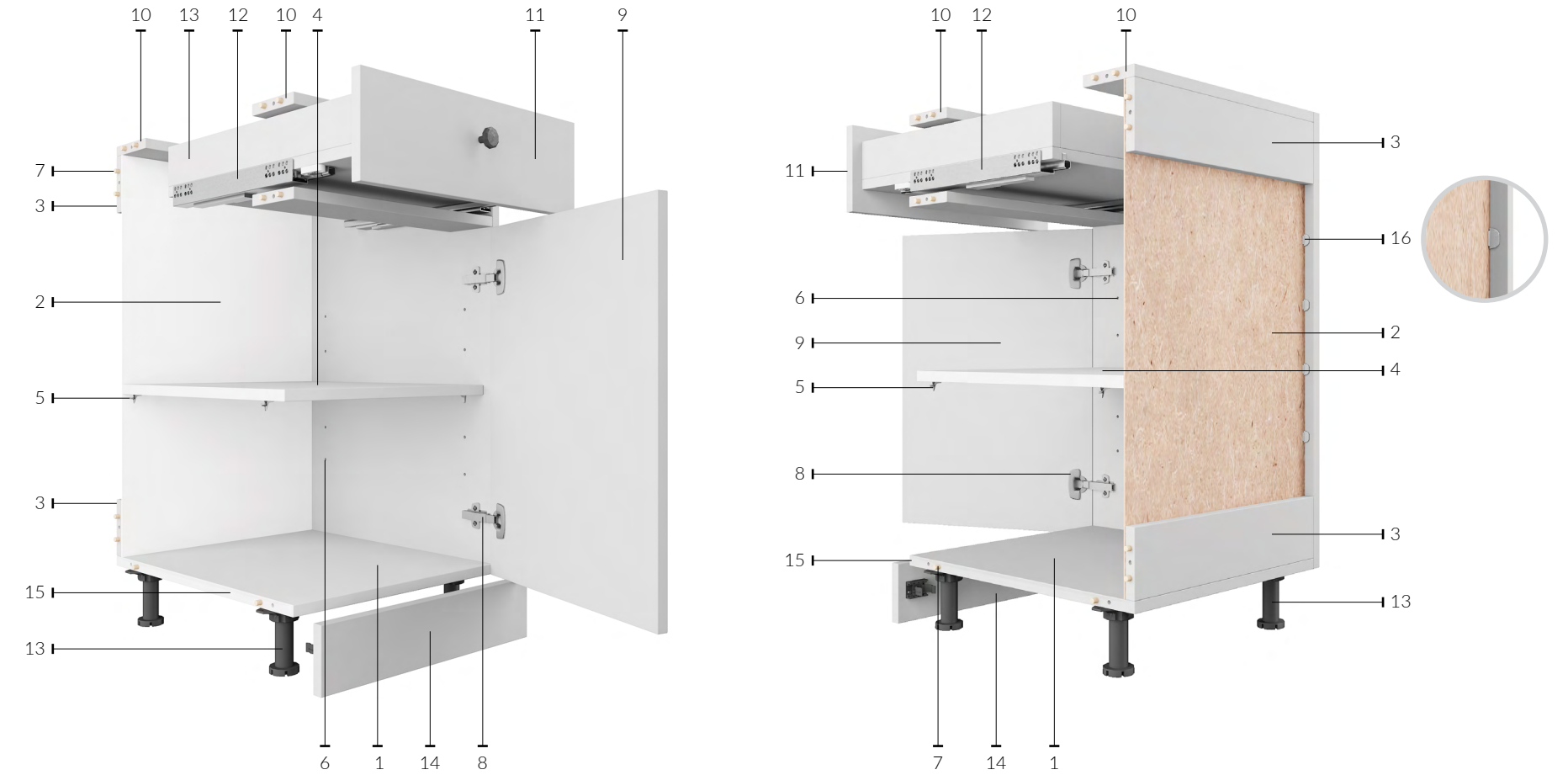
Back panel connector (12)



Fast assembly concealed cup hinge Sensys with integrated Silent System (soft close) (8)



BASE CABINET



- 1. Bottom panel (PB in White color, thickness 1 1/16")
- 2. Back panel (hardboard in White color, thickness 1/8")
- 3. Mounting rail (PB in White color, width 4")
- 4. Height adjustable / removable shelf (PB in White color, thickness 1 1/16")
- 5. Shelf support
- 6. Holes for shelf support (Ø 3/16")
- 7. Wood dowels / cam lock nuts & screws construction
- 8. 110° hinge CLIP top BLUMOTION (soft close)
- 9. Door
- 10. Countertop support (PB in White color, width 4 3/8")
- 11. Drawer front
- 12. Quadro 25 runners with integrated Silent System (soft close), partial extension
- 13. Height adjustable PVC legs in Black color (height 4 1/2")
- 14. Clip-on toe kick molding (height 4 1/2")
- 15. Color coordinated PVC edge
- 16. Back panel connector



Quadro 25 runners with integrated Silent System (soft close), partial extension (12)



Height adjustable PVC leg in black (13)



KITCHEN CABINET OPTIONS

WALL CABINETS

WALL CABINET. 1 door, 2 height adjustable/removable shelves



Stock No.	Width	Height	Depth
W830	8"	30"	12"
W930	9"		
W1230	12"		
W1530	15"		
W1830	18"		
W2130	21"		
W2430	24"		
W836	8"	36"	12"
W936	9"		
W1236	12"		
W1536	15"		
W1836	18"		
W2136	21"		
W2436	24"		

WALL CABINET. 1 door, 3 height adjustable/removable shelves



Stock No.	Width	Height	Depth
W842	8"	42"	12"
W942	9"		
W1242	12"		
W1542	15"		
W1842	18"		
W2142	21"		
W2442	24"		

WALL CORNER CABINET. 1 bi-fold door, 2 height adjustable/removable shelves



Stock No.	Width	Height	Depth
WC2430	24"	30"	12"
WC2436		36"	

WALL CORNER CABINET. 1 bi-fold door, 3 height adjustable/removable shelves



Stock No.	Width	Height	Depth
WC2442	24"	42"	12"

WALL DIAGONAL CORNER CABINET. 1 door, 2 height adjustable/removable shelves



Stock No.	Width	Height	Depth
WCA2430	24"	30"	12"
WCA2436		36"	

WALL DIAGONAL CORNER CABINET. 1 door, 3 height adjustable/removable shelves



Stock No.	Width	Height	Depth
WCA2442	24"	42"	12"

WALL CABINET. 2 doors, 2 height adjustable/removable shelves



Stock No.	Width	Height	Depth
W2730	27"	30"	12"
W3030	30"		
W3330	33"		
W3630	36"		
W2736	27"	36"	12"
W3036	30"		
W3336	33"		
W3636	36"		

WALL CABINET. 2 doors, 3 height adjustable/removable shelves



Stock No.	Width	Height	Depth
W2742	27"	42"	12"
W3042	30"		
W3342	33"		
W3642	36"		

BLIND CORNER WALL CABINET. 1 door, 2 height adjustable/removable shelves



Stock No.	Width	Height	Depth
WCB2730	27"	30"	12"
WCB3030	30"		
WCB3330	33"		
WCB3630	36"		
WCB2736	27"	36"	12"
WCB3036	30"		
WCB3336	33"		
WCB3636	36"		

BLIND CORNER WALL CABINET. 1 door, 3 height adjustable/removable shelves



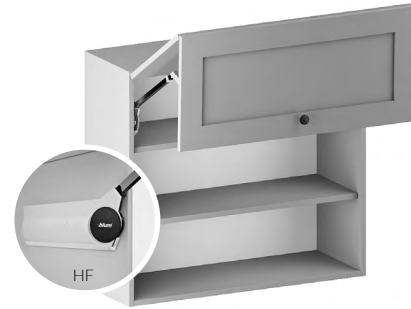
Stock No.	Width	Height	Depth
WCB2742	27"	42"	12"
WCB3042	30"		
WCB3342	33"		
WCB3642	36"		

WINE RACK



Stock No.	Width	Height	Depth
WRC1530	15"	30"	12"
WRC1830	18"		

WALL CABINET. Bi-fold lift system (AVENTOS HF, BLUM), 2 height adjustable / removable shelves



Stock No.	Width	Height	Depth
WDA2730/HF	27"	30"	12"
WDA3030/HF	30"		
WDA3330/HF	33"		
WDA3630/HF	36"		
WDA2736/HF	27"	36"	
WDA3036/HF	30"		
WDA3336/HF	33"		
WDA3636/HF	36"		

WALL BRIDGE CABINET. Small stay lift system (AVENTOS HK-S, BLUM), 1 door



Stock No.	Width	Height	Depth
WBA3012(HKS)	30"	12"	12"
WBA3312(HKS)	33"		
WBA3612(HKS)	36"		
WBA3015(HKS)	30"	15"	
WBA3315(HKS)	33"		
WBA3615(HKS)	36"		

WALL BRIDGE CABINET. Stay lift system (AVENTOS HK, BLUM), 1 door, 1 height adjustable / removable shelf



Stock No.	Width	Height	Depth
WBA3018(HK)	30"	18"	12"
WBA3318(HK)	33"		
WBA3618(HK)	36"		
WBA3024(HK)	30"	24"	
WBA3324(HK)	33"		
WBA3624(HK)	36"		

WALL CABINET. Small stay lift system (AVENTOS HK-S, BLUM), 2 doors



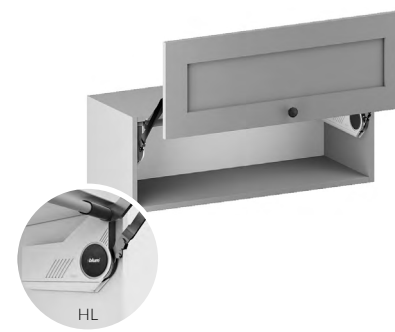
Stock No.	Width	Height	Depth
WA2730(HKS)	27"	30"	12"
WA3030(HKS)	30"		
WA3330(HKS)	33"		
WA3630(HKS)	36"		

WALL CABINET. Small stay lift system (AVENTOS HK-S, BLUM), 2 doors, 2 height adjustable / removable shelves



Stock No.	Width	Height	Depth
WA2736(HKS)	27"	36"	12"
WA3036(HKS)	30"		
WA3336(HKS)	33"		
WA3636(HKS)	36"		
WA2742(HKS)	27"	42"	
WA3042(HKS)	30"		
WA3342(HKS)	33"		
WA3642(HKS)	36"		

WALL BRIDGE CABINET. Lift up system (AVENTOS HL, BLUM), 1 door



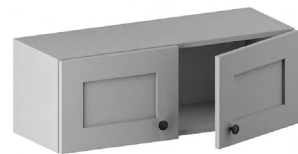
Stock No.	Width	Height	Depth
WBL3012(HL)	30"	12"	12"
WBL3312(HL)	33"		
WBL3612(HL)	36"		
WBL3015(HL)	30"	15"	
WBL3315(HL)	33"		
WBL3615(HL)	36"		

WALL BRIDGE CABINET. Lift up system (AVENTOS HL, BLUM), 1 door, 1 height adjustable / removable shelf



Stock No.	Width	Height	Depth
WBL3018(HL)	30"	18"	12"
WBL3318(HL)	33"		
WBL3618(HL)	36"		
WBL3024(HL)	30"	24"	
WBL3324(HL)	33"		
WBL3624(HL)	36"		

WALL BRIDGE CABINET. 2 doors



Stock No.	Width	Height	Depth
WB3012	30"	12"	12"
WB3312	33"		
WB3612	36"		
WB3015	30"	15"	
WB3315	33"		
WB3615	36"		

WALL BRIDGE CABINET. 2 doors, 1 height adjustable / removable shelf



Stock No.	Width	Height	Depth
WB3018	30"	18"	12"
WB3318	33"		
WB3618	36"		
WB3024	30"	24"	
WB3324	33"		
WB3624	36"		

WALL REFRIGERATOR CABINET. 2 doors



Stock No.	Width	Height	Depth
WRF3012	30"	12"	24"
WRF3312	33"		
WRF3612	36"		
WRF3015	30"	15"	
WRF3315	33"		
WRF3615	36"		

WALL REFRIGERATOR CABINET. 2 doors, 1 height adjustable / removable shelf



Stock No.	Width	Height	Depth
WRF3018	30"	18"	24"
WRF3318	33"		
WRF3618	36"		
WRF3024	30"	24"	
WRF3324	33"		
WRF3624	36"		

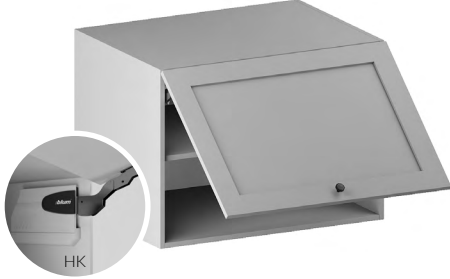
BASE CABINETS

WALL REFRIGERATOR CABINET. Small stay lift system (AVENTOS HK-S, BLUM), 1 door



Stock No.	Width	Height	Depth
WRFA3012(HKS)	30"	12"	24"
WRFA3312(HKS)	33"		
WRFA3612(HKS)	36"		
WRFA3015(HKS)	30"	15"	
WRFA3315(HKS)	33"		
WRFA3615(HKS)	36"		

WALL REFRIGERATOR CABINET. Stay lift system (AVENTOS HK, BLUM), 1 door, 1 height adjustable / removable shelf



Stock No.	Width	Height	Depth
WRFA3018(HK)	30"	18"	24"
WRFA3318(HK)	33"		
WRFA3618(HK)	36"		
WRFA3024(HK)	30"	24"	
WRFA3324(HK)	33"		
WRFA3624(HK)	36"		

BASE CABINET. Pull-out spice rack with door mounting



Stock No.	Width	Height	Depth
BSP6	6"	34 1/2"	24"
BSP9	9"		

WALL CABINET. 1 door



Stock No.	Width	Height	Depth
W1212	12"	12"	12"
W1512	15"		
W1812	18"		
W2112	21"		
W2412	24"		

WALL CABINET. 2 doors



Stock No.	Width	Height	Depth
W2712	27"	12"	12"

BASE CABINET. 1 door, 1 height adjustable / removable shelf



Stock No.	Width	Height	Depth
BS6	6"	34 1/2"	24"
BS9	9"		
BS15	15"		
BS18	18"		
BS21	21"		
BS24	24"		

BASE CABINET. 1 drawer, 1 door, 1 height adjustable / removable shelf Quadro 25 runners



Stock No.	Width	Height	Depth
B12	12"	34 1/2"	24"
B15	15"		
B18	18"		
B21	21"		
B24	24"		

BASE CABINET. 2 doors, 1 height adjustable / removable shelf



Stock No.	Width	Height	Depth
BS27	27"	34 1/2"	24"
BS30	30"		
BS33	33"		
BS36	36"		

BASE CABINET. 1 drawer, 2 doors, 1 height adjustable / removable shelf Quadro 25 runners



Stock No.	Width	Height	Depth
B27	27"	34 1/2"	24"
B30	30"		
B33	33"		
B36	36"		

BASE CABINET. 3 drawers (1 small, 2 equal)
Quadro 25 runners



Stock No.	Width	Height	Depth
B3D12	12"	34 1/2"	24"
B3D15	15"		
B3D18	18"		
B3D21	21"		
B3D24	24"		
B3D27	27"		
B3D30	30"		
B3D33	33"		
B3D36	36"		

BASE CABINET. 2 drawers (equal)
Quadro 25 runners



Stock No.	Width	Height	Depth		
B2DE12	12"	34 1/2"	24"		
B2DE15	15"				
B2DE18	18"				
B2DE21	21"				
B2DE24	24"				
B2DE27	27"				
B2DE30	30"				
B2DE33	33"				
B2DE36	36"				

BLIND CORNER BASE CABINET. 1 door,
CORNERSTONE SWING pull-out system



Stock No.	Width	Height	Depth
BCBL44	44"	34 1/2"	24"
BCBL46	46"		
BCBL48	48"		
BCBL50	50"		

BASE DIAGONAL CORNER CABINET. 1 door, 1 height adjustable / removable shelf



Stock No.	Width	Height	Depth
BCA33	33"	34 1/2"	33"
BCA36	36"		36"

BASE CABINET. 3 drawers (2 equal, 1 inner)
Quadro 25 runners



Stock No.	Width	Height	Depth
B3DI12	12"	34 1/2"	24"
B3DI15	15"		
B3DI18	18"		
B3DI21	21"		
B3DI24	24"		
B3DI27	27"		
B3DI30	30"		
B3DI33	33"		
B3DI36	36"		

BASE CABINET. 3 drawers (2 equal, 1 large)
Quadro 25 runners



Stock No.	Width	Height	Depth		
B3DE12	12"	34 1/2"	24"		
B3DE15	15"				
B3DE18	18"				
B3DE21	21"				
B3DE24	24"				
B3DE27	27"				
B3DE30	30"				
B3DE33	33"				
B3DE36	36"				

BASE DIAGONAL CORNER CABINET. 1 door,
LAZY SUSAN corner system



Stock No.	Width*	Height	Depth
BCAL33	33"	34 1/2"	33"
BCAL36	36"		36"

BASE CORNER CABINET. 1 bi-fold door, 1 height adjustable / removable shelf



Stock No.	Width	Height	Depth
BC33	33"	34 1/2"	33"
BC36	36"		36"

SINK BASE CABINET. 2 doors



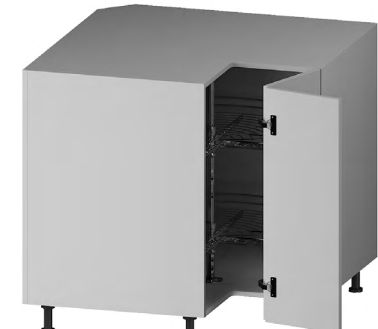
Stock No.	Width	Height	Depth
SB24	24"	34 1/2"	24"
SB27	27"		
SB30	30"		
SB33	33"		
SB36	36"		

BLIND CORNER BASE CABINET. 1 door, 1 height adjustable / removable shelf



Stock No.	Width	Height	Depth
BCB40	40"	34 1/2"	24"
BCB42	42"		
BCB44	44"		
BCB46	46"		

BASE CORNER CABINET. 1 bi-fold door,
LAZY SUSAN corner system



Stock No.	Width	Height	Depth
BCL33	33"	34 1/2"	33"
BCL36	36"		36"

COOKTOP BASE CABINET. 1 dummy drawer, 2 drawers (equal)
Quadro 25 runners



Stock No.	Width	Height	Depth
CTB30	30"	34 1/2"	24"
CTB36	36"		

PANTRY CABINETS / TALL HOUSING UNITS

MICROWAVE BASE CABINET. 1 aperture, 1 drawer
Quadro 25 runners



Stock No.	Width	Height	Depth
MB24	24"	34 1/2"	24"
MB27	27"		
MB30	30"		
MB36	36"		

VANITY BASE CABINET. 3 drawers
Quadro 25 runners



Stock No.	Width	Height	Depth
3VDB12	12"	34 1/2"	21"
3VDB15	15"		
3VDB18	18"		

VANITY SINK BASE CABINET. 1 dummy drawer, 2 doors



Stock No.	Width	Height	Depth
VS24	24"	34 1/2"	21"
VS27	27"		
VS30	30"		
VS36	36"		

VANITY BASE CABINET (COMBO). 1 dummy drawer, 1 door, 2 drawers
Quadro 25 runners



Stock No.	Width	Height	Depth
V3021DL*	30"	34 1/2"	21"
V3021DR**	30"		
V3621DL*	36"		
V3621DR**	36"		

*Drawers on the left
**Drawers on the right

PANTRY CABINET. 2 doors, 5 height
adjustable / removable shelves
Lower zone with fixed height of 54" incl. legs



Stock No.	Width	Height	Depth
PC1284	12"	84"	24"
PC1584	15"		
PC1884	18"		
PC2184	21"		
PC2484	24"		
PC1290	12"	90"	24"
PC1590	15"		
PC1890	18"		
PC2190	21"		
PC2490	24"		

PANTRY CABINET. 2 doors, 6 height
adjustable / removable shelves
Lower zone with fixed height of 54" incl. legs



Stock No.	Width	Height	Depth
PC1296	12"	96"	24"
PC1596	15"		
PC1896	18"		
PC2196	21"		
PC2496	24"		

PANTRY CABINET. 4 doors, 5 height
adjustable / removable shelves
Lower zone with fixed height of 54" incl. legs



Stock No.	Width	Height	Depth
PC2784	27"	84"	24"
PC3084	30"		
PC3384	33"		
PC3684	36"		
PC2790	27"	90"	24"
PC3090	30"		
PC3390	33"		
PC3690	36"		

PANTRY CABINET. 4 doors, 6 height
adjustable / removable shelves
Lower zone with fixed height of 54" incl. legs



Stock No.	Width	Height	Depth
PC2796	27"	96"	24"
PC3096	30"		
PC3396	33"		
PC3696	36"		

PANTRY CABINET. 2 doors, 4 height adjustable/removable shelves, 2 inner drawers (equal), Quadro 25 runners
Lower zone with fixed height of 54" incl. legs



Stock No.	Width	Height	Depth
PC2D1284/L	12"	84"	24"
PC2D1284/R	12"		
PC2D1584/L	15"		
PC2D1584/R	15"		
PC2D1884/L	18"		
PC2D1884/R	18"		
PC2D2184/L	21"		
PC2D2184/R	21"		
PC2D2484/L	24"		
PC2D2484/R	24"		
PC2D1290/L	12"	90"	24"
PC2D1290/R	12"		
PC2D1590/L	15"		
PC2D1590/R	15"		
PC2D1890/L	18"		
PC2D1890/R	18"		
PC2D2190/L	21"		
PC2D2190/R	21"		
PC2D2490/L	24"		
PC2D2490/R	24"		

PANTRY CABINET. 2 doors, 5 height adjustable/removable shelves, 2 inner drawers (equal), Quadro 25 runners
Lower zone with fixed height of 54" incl. legs



Stock No.	Width	Height	Depth
PC2D1296/L	12"	96"	24"
PC2D1296/R	12"		
PC2D1596/L	15"		
PC2D1596/R	15"		
PC2D1896/L	18"		
PC2D1896/R	18"		
PC2D2196/L	21"		
PC2D2196/R	21"		
PC2D2496/L	24"		
PC2D2496/R	24"		

PANTRY CABINET. 4 doors, 4 height adjustable/removable shelves, 2 inner drawers (equal), Quadro 25 runners
Lower zone with fixed height of 54" incl. legs



Stock No.	Width	Height	Depth
PC2D2784	27"	84"	24"
PC2D3084	30"		
PC2D3384	33"		
PC2D3684	36"		
PC2D2790	27"		
PC2D3090	30"	90"	24"
PC2D3390	33"		
PC2D3690	36"		

PANTRY CABINET. 4 doors, 5 height adjustable/removable shelves, 2 inner drawers (equal), Quadro 25 runners
Lower zone with fixed height of 54" incl. legs



Stock No.	Width	Height	Depth
PC2D2796	27"	96"	24"
PC2D3096	30"		
PC2D3396	33"		
PC2D3696	36"		

PANTRY CABINET. 2 doors, 3 height adjustable/removable shelves, 3 inner drawers (1 small, 2 equal), Quadro 25 runners
Lower zone with fixed height of 54" incl. legs



Stock No.	Width	Height	Depth
PC3D1284/L	12"	84"	24"
PC3D1284/R	12"		
PC3D1584/L	15"		
PC3D1584/R	15"		
PC3D1884/L	18"		
PC3D1884/R	18"		
PC3D2184/L	21"		
PC3D2184/R	21"		
PC3D2484/L	24"		
PC3D2484/R	24"		
PC3D1290/L	12"	90"	24"
PC3D1290/R	12"		
PC3D1590/L	15"		
PC3D1590/R	15"		
PC3D1890/L	18"		
PC3D1890/R	18"		
PC3D2190/L	21"		
PC3D2190/R	21"		
PC3D2490/L	24"		
PC3D2490/R	24"		

PANTRY CABINET. 2 doors, 4 height adjustable/removable shelves, 3 inner drawers (1 small, 2 equal), Quadro 25 runners
Lower zone with fixed height of 54" incl. legs



Stock No.	Width	Height	Depth
PC3D1296/L	12"	96"	24"
PC3D1296/R	12"		
PC3D1596/L	15"		
PC3D1596/R	15"		
PC3D1896/L	18"		
PC3D1896/R	18"		
PC3D2196/L	21"		
PC3D2196/R	21"		
PC3D2496/L	24"		
PC3D2496/R	24"		

PANTRY CABINET. 4 doors, 3 height adjustable/removable shelves, 3 inner drawers (1 small, 2 equal), Quadro 25 runners
Lower zone with fixed height of 54" incl. legs



Stock No.	Width	Height	Depth
PC3D2784	27"	84"	24"
PC3D3084	30"		
PC3D3384	33"		
PC3D3684	36"		
PC3D2790	27"		
PC3D3090	30"	90"	24"
PC3D3390	33"		
PC3D3690	36"		

PANTRY CABINET. 4 doors, 4 height adjustable/removable shelves, 3 inner drawers (1 small, 2 equal), Quadro 25 runners
Lower zone with fixed height of 54" incl. legs



Stock No.	Width	Height	Depth
PC3D2796	27"	96"	24"
PC3D3096	30"		
PC3D3396	33"		
PC3D3696	36"		

PANTRY CABINET. 2 doors, 3 height adjustable/removable shelves, 4 inner drawers (2 small equal, 2 large equal), Quadro 25 runners
Lower zone with fixed height of 54" incl. legs



Stock No.	Width	Height	Depth
PC4D1284/L	12"	84"	24"
PC4D1284/R	12"		
PC4D1584/L	15"		
PC4D1584/R	15"		
PC4D1884/L	18"		
PC4D1884/R	18"		
PC4D2184/L	21"		
PC4D2184/R	21"		
PC4D2484/L	24"		
PC4D2484/R	24"		
PC4D1290/L	12"	90"	24"
PC4D1290/R	12"		
PC4D1590/L	15"		
PC4D1590/R	15"		
PC4D1890/L	18"		
PC4D1890/R	18"		
PC4D2190/L	21"		
PC4D2190/R	21"		
PC4D2490/L	24"		
PC4D2490/R	24"		

PANTRY CABINET. 2 doors, 4 height adjustable/removable shelves, 4 inner drawers (2 small equal, 2 large equal), Quadro 25 runners
Lower zone with fixed height of 54" incl. legs



Stock No.	Width	Height	Depth
PC4D1296/L	12"	96"	24"
PC4D1296/R	12"		
PC4D1596/L	15"		
PC4D1596/R	15"		
PC4D1896/L	18"		
PC4D1896/R	18"		
PC4D2196/L	21"		
PC4D2196/R	21"		
PC4D2496/L	24"		
PC4D2496/R	24"		

PANTRY CABINET. 4 doors, 3 height adjustable/removable shelves, 4 inner drawers (2 small equal, 2 large equal), Quadro 25 runners
Lower zone with fixed height of 54" incl. legs



Stock No.	Width	Height	Depth
PC4D2784	27"	84"	24"
PC4D3084	30"		
PC4D3384	33"		
PC4D3684	36"		
PC4D2790	27"		
PC4D3090	30"	90"	24"
PC4D3390	33"		
PC4D3690	36"		

PANTRY CABINET. 4 doors, 4 height adjustable/removable shelves, 4 inner drawers (2 small equal, 2 large equal), Quadro 25 runners
Lower zone with fixed height of 54" incl. legs



Stock No.	Width	Height	Depth
PC4D2796	27"	96"	24"
PC4D3096	30"		
PC4D3396	33"		
PC4D3696	36"		

TALL SINGLE OVEN HOUSING UNIT. 4 doors, 2 height adjustable/removable shelves, 1 aperture



Stock No.	Width	Height	Depth
TSO3084	30"	84"	24"
TSO3090		90"	

TALL SINGLE OVEN HOUSING UNIT. 4 doors, 3 height adjustable/removable shelves, 1 aperture



Stock No.	Width	Height	Depth
TSO3096	30"	96"	24"

TALL SINGLE OVEN HOUSING UNIT. 2 doors, 1 height adjustable/removable shelf, 1 aperture, 3 drawers (1 small, 2 equal), Quadro 25 runners



Stock No.	Width	Height	Depth
TSO3D3084	30"	84"	24"
TSO3D3090		90"	

TALL SINGLE OVEN HOUSING UNIT. 2 doors, 2 height adjustable/removable shelves, 1 aperture, 3 drawers (1 small, 2 equal), Quadro 25 runners



Stock No.	Width	Height	Depth
TSO3D3096	30"	96"	24"

TALL DOUBLE OVEN HOUSING UNIT.
 2 doors, 2 apertures,
 1 drawer, Quadro 25 runners



Stock No.	Width	Height	Depth
TDO3084	30"	84"	24"

TALL DOUBLE OVEN HOUSING UNIT.
 2 doors, 1 height adjustable / removable
 shelf, 2 apertures,
 1 drawer, Quadro 25 runners



Stock No.	Width	Height	Depth
TDO3090	30"	90"	24"
TDO3096		96"	



ATLANTIC EUROPE
— SINCE 1993 —